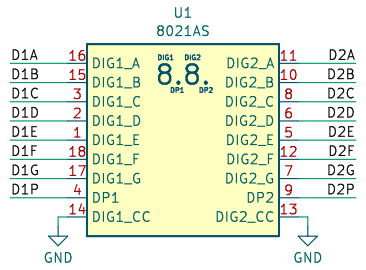
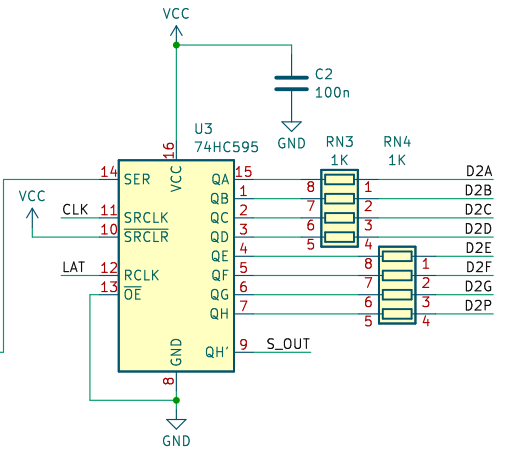
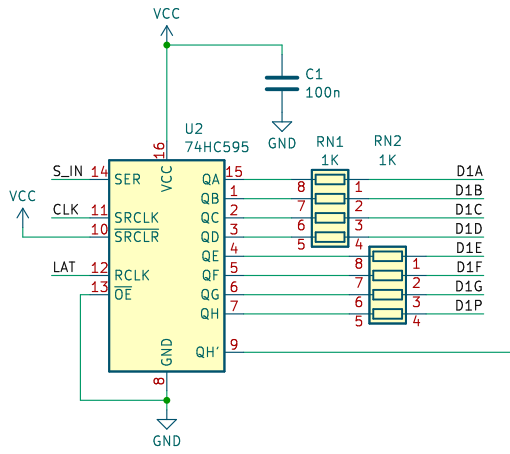


- H1 MountingHole
- H2 MountingHole
- H3 MountingHole
- H4 MountingHole



The Dominion of Awesome

Sheet: /

File: macro_7seg.kicad_sch

Title: macro_7seg

Size: A5 Date: 2024-02-23

KiCad E.D.A. eeschema 7.0.10

Rev: 1

Id: 1/1