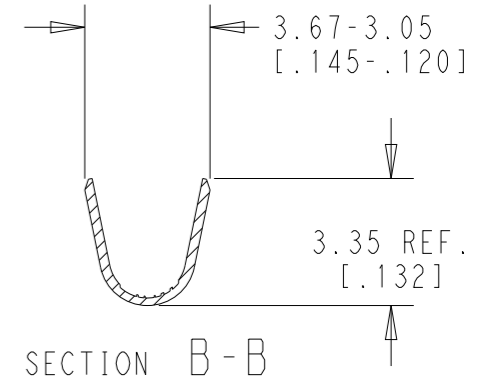
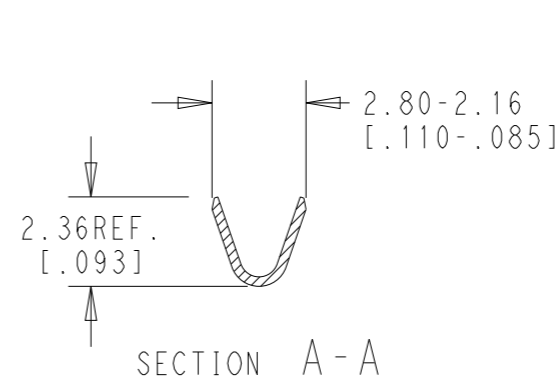
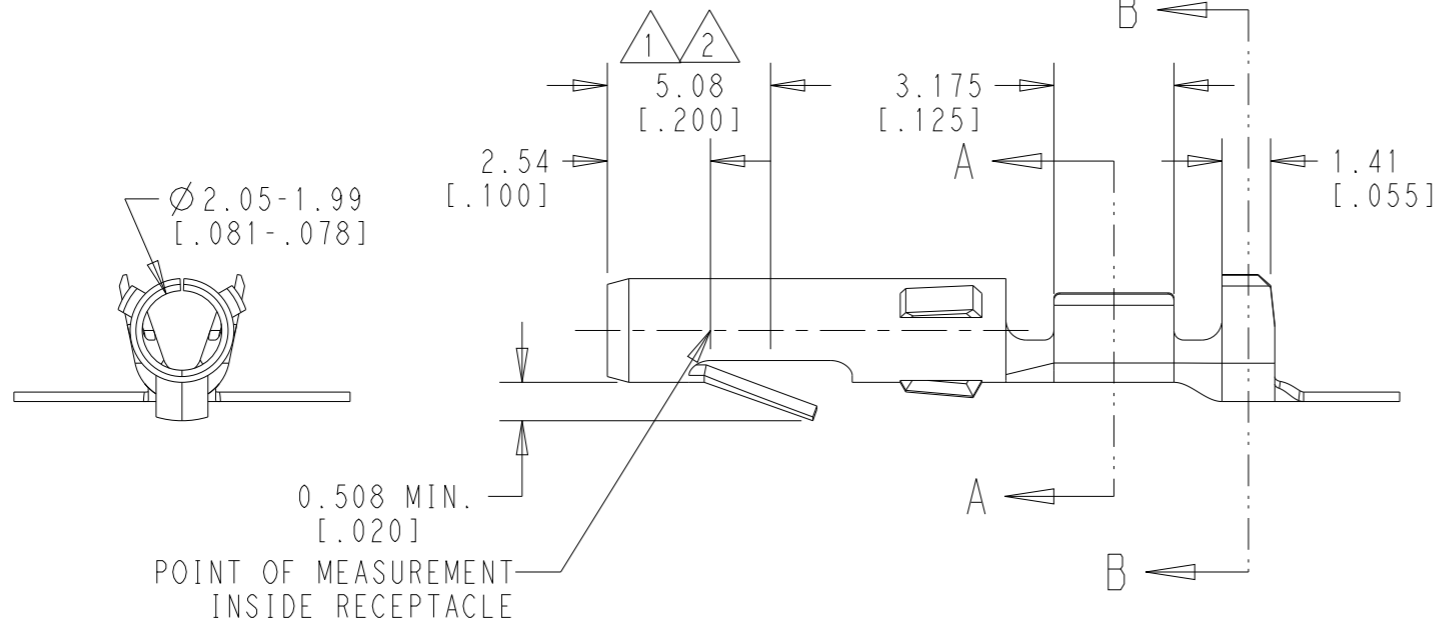
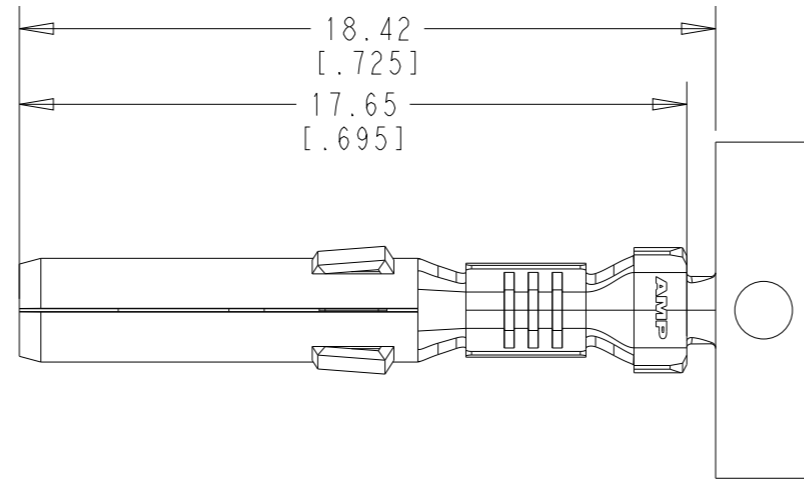
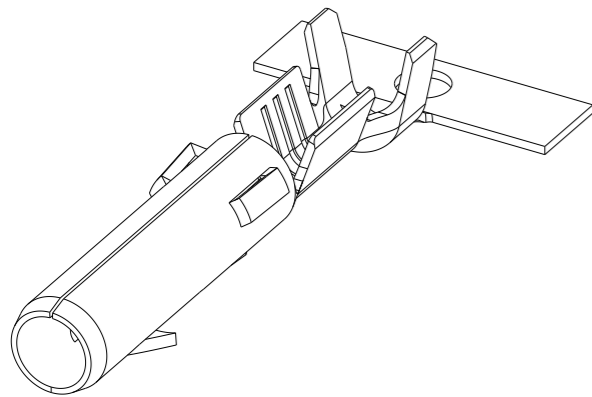


REVISIONS

P	LTR	DESCRIPTION	DATE	DWN	APVD
	AB3	REVISED PER ECR-21-101087	07MAY2021	PJ	VS
	AB4	REVISED PER ECN-23-233438	02OCT2023	WLS	VS
	AB5	REVISED PER ECN-24-286719	27SEP2024	WLS	JP



NOTES:

- 1 NICKEL ON ENTIRE TERMINAL WITH .00076 [.000030] GOLD OVER INSIDE OF MATING AREA AND WIRE BARREL.
- 2 NICKEL ON ENTIRE TERMINAL WITH .00076 [.000030] GOLD OVER INSIDE OF MATING AREA.
- 3. WIRE RANGE: 24 - 18 AWG.
- 4. INSULATION DIA .100 MAX.
- 5. DIMENSIONS IN BRACKETS ARE IN INCHES.

APPLICATOR TYPE	FINISH	MATERIAL	PART NO
MINI	2 GOLD	0.30 [.012] BRASS	61314-7
MINI	GOLD 2	0.30 [.012] PH BZ	61314-6
MINI	1 GOLD	0.30 [.012] BRASS	61314-5
MINI	PRE TIN	0.30 [.012] PH BZ	61314-4
MINI	-	0.30 [.012] BRASS	61314-2
MINI	PRE TIN	0.30 [.012] BRASS	61314-1

THIS DRAWING IS A CONTROLLED DOCUMENT.

DWN: 28 JUN 2012, KIRAN HOLAL
 CHK: 28 JUN 2012, RUTH, JEFFERY
 APVD: 28 JUN 2012, RUTH, JEFFERY

TE Connectivity

NAME: SOCKET COMMERCIAL MATE-N-LOK

PRODUCT SPEC: 108-1000
 APPLICATION SPEC: 114-1012

WEIGHT: -

MATERIAL: SEE TABLE
 FINISH: SEE TABLE

SIZE: A3, CAGE CODE: 00779, DRAWING NO: 61314, RESTRICTED TO: -

CUSTOMER DRAWING, SCALE: 5:1, SHEET: 1 OF 1, REV: AB5