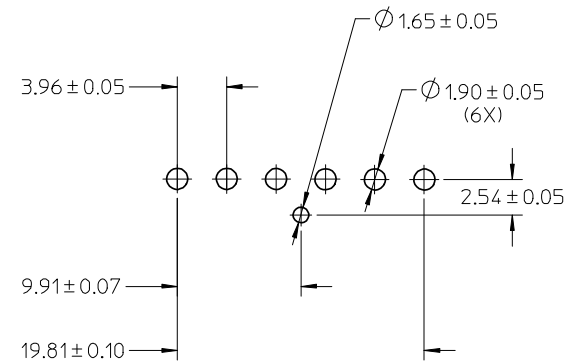
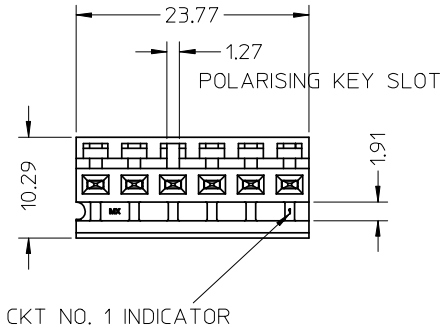
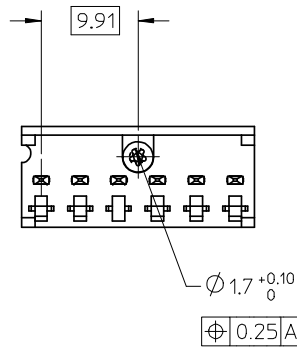
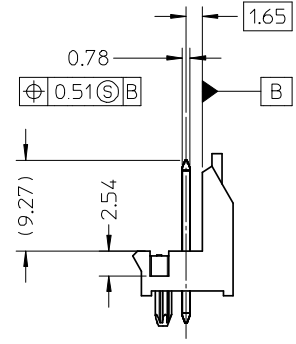
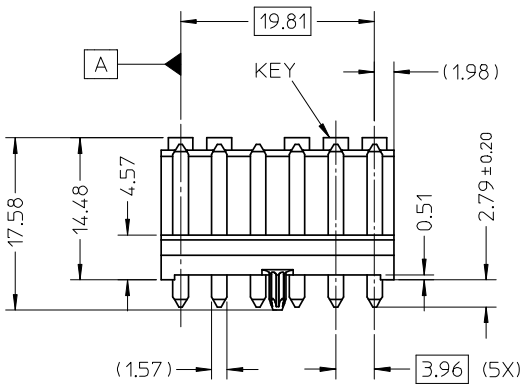


10 9 8 7 6 5 4 3 2 1



RECOMENDED PCB LAYOUT



- NOTES:
- AXIAL PIN PUSHOUT FORCE: 2LBS (0.91 KG) MIN.
 - MATERIALS:
PIN - BRASS, ALLOY 260
PLATING - POST ELECTRO-PLATE 5.08 μ M MIN TIN OVER 1.27 μ M MIN TIN OVERALL, MATTE FINISH (AS PER ES-88-224 CODE)
WAFER - CODE "P": POLYESTER, 15% GF, 94V-0,COLOR:BK
 - PS-8619 APPLIES
 - NO POLARIZING KEY AT CIRCUIT #4

| ENTER DESCRIPTION EC NO: I2008-0572 DRWN:RRANGAPPA01 2008/04/10 CHKD:KPRASAD 2008/04/10 APPR:KPRASAD 2008/04/10 | QUALITY SYMBOLS ▽=0 ▽=0 | GENERAL TOLERANCES (UNLESS SPECIFIED) <table border="1"> <tr> <th></th> <th>mm</th> <th>INCH</th> </tr> <tr> <td>4 PLACES</td> <td>\pm ---</td> <td>\pm ---</td> </tr> <tr> <td>3 PLACES</td> <td>\pm ---</td> <td>\pm ---</td> </tr> <tr> <td>2 PLACES</td> <td>\pm 0.25</td> <td>\pm ---</td> </tr> <tr> <td>1 PLACE</td> <td>\pm 0.35</td> <td>\pm ---</td> </tr> </table> | | mm | INCH | 4 PLACES | \pm --- | \pm --- | 3 PLACES | \pm --- | \pm --- | 2 PLACES | \pm 0.25 | \pm --- | 1 PLACE | \pm 0.35 | \pm --- | DIMENSION STYLE MM ONLY | SCALE 2:1 | DESIGN UNITS METRIC | THIRD ANGLE PROJECTION |
|--|--|--|--------------------|--|--------------------------------------|---------------------|-----------|-----------|----------|-----------|-----------|----------|------------|-----------|---------|------------|-----------|-----------------------------------|---------------------|-------------------------------|------------------------|
| | | mm | INCH | | | | | | | | | | | | | | | | | | |
| | 4 PLACES | \pm --- | \pm --- | | | | | | | | | | | | | | | | | | |
| | 3 PLACES | \pm --- | \pm --- | | | | | | | | | | | | | | | | | | |
| 2 PLACES | \pm 0.25 | \pm --- | | | | | | | | | | | | | | | | | | | |
| 1 PLACE | \pm 0.35 | \pm --- | | | | | | | | | | | | | | | | | | | |
| DESCRIPTION A | DRAFT WHERE APPLICABLE MUST REMAIN WITHIN DIMENSIONS | DRAWN BY RAGHU | DATE 2008/04/04 | TITLE HEADER SINGLE ROW 3.96MM PITCH | MOLEX INCORPORATED | SHEET NO. 1 OF 1 | | | | | | | | | | | | | | | |
| | | APPROVED BY KPRASAD | DATE 2008/04/04 | MATERIAL NO. 366420001 | DOCUMENT NO. SDA-8619-0609 | | | | | | | | | | | | | | | | |
| | | THIS DRAWING CONTAINS INFORMATION THAT IS PROPRIETARY TO MOLEX INCORPORATED AND SHOULD NOT BE USED WITHOUT WRITTEN PERMISSION | | | | | | | | | | | | | | | | | | | |

9 8 7 6 5 4 3 2 1